

## **JUNIOR TIMER VALVE PLUG 90° LED VDR**

PVC 2x0,75 black 10m

Female 90°

10...24 V AC/30 V DC

LED and VDR

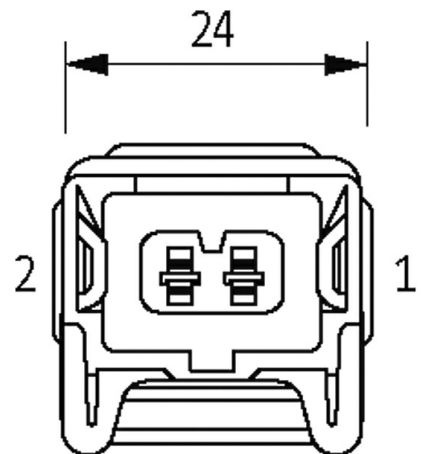
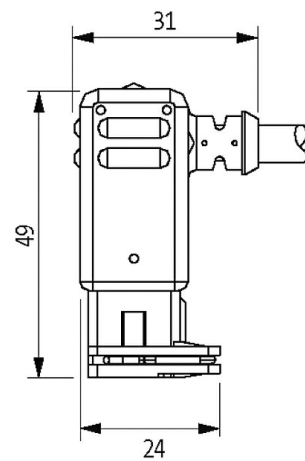
Plastic housings with good resistance against chemicals and oils.

The resistance to aggressive media should be individually tested for your application. Further details on request.

Further cable lengths on request.

### [Link to Product](#)

**Illustration**



Product may differ from Image

#### Form

Form 70361

#### General data

Pollution Degree 3  
 Temperature range -25...+85 °C, depending on cable quality

#### Cables

Cable number 752

No./diameter of wires	2 × 0.75 mm <sup>2</sup>
Wire isolation	PVC (br, bl)
Jacket Color	black
Material (jacket)	PVC
Outer Ø	5.2 mm ±5%
Bend radius (moving)	15 × outer Ø
Temperature range (fixed)	-30...+70 °C
Temperature range (mobile)	-5...+70 °C
Cable identification	752
Approval (cable)	CE
Cable weight [g/m]	50,60
Material (wire)	Cu wire, bare
Resistor (core)	max. 26 Ω/km (20 °C)
Single wire Ø (core)	0.2 mm
Construction (core)	24 × 0.2 mm (multi-strand wire class 5)
Diameter (core)	2 × 0.75 mm <sup>2</sup>
AWG	similar to AWG 18
Material (wire isolation)	PVC
Material property (wire isolation)	CFC-, cadmium-, silicone- and lead-free
Shore hardness (wire isolation)	90 ±5 A
Wire-Ø incl. isolation	1.8 mm ±5%
Color/numbering of wires	br, bl
Stranding combination	2 wires twisted
Shield	no
Material (jacket)	PVC
Material property (jacket)	CFC-, cadmium-, silicone- and lead-free, matt, low-adhesion, machine easy to process, abrasion-resistant
Shore hardness (jacket)	80 ±5 A
Outer-Ø (jacket)	5.2 mm ±5%
Color (jacket)	black
chemical resistance	good resistance to oil, gasoline and chemicals
thermal resistance	flame retardant
Nominal voltage	300/500 V AC
Test voltage	2000 V AC
Current load capacity	to DIN VDE 0298-4
Temperature range (fixed)	-30...+70 °C
Temperature range (mobile)	-5...+70 °C
Bend radius (fixed)	10 × outer Ø
Bend radius (moving)	15 × outer Ø

#### Technical Data

Operating voltage	10...24 V AC/30 V DC
Rated surge voltage	0.8 kV
Operating current per contact	max. 4 A
Current consumption	approx. 12 mA
Material group	IEC 60664-1, category I
LED display	(yellow)
Protection	IP65 inserted and tightened (EN 60529)
Housing	Black plastic, flame retardant

#### Commercial data

country of origin	DE
customs tariff number	85444290
EAN	4048879286466
eClass	27279218
Packaging unit	1